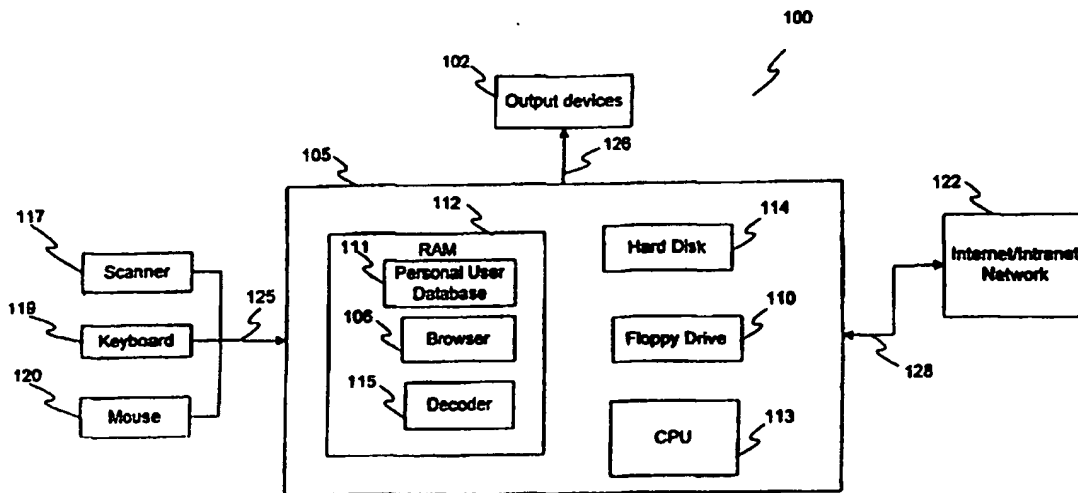




INTERNATIONAL APPLICATION PUBLISHED UNDER THE PATENT COOPERATION TREATY (PCT)

<p>(51) International Patent Classification ⁶ : G06F 163/00, 13/14</p>	<p>A1</p>	<p>(11) International Publication Number: WO 98/06055 (43) International Publication Date: 12 February 1998 (12.02.98)</p>
<p>(21) International Application Number: PCT/US97/13689 (22) International Filing Date: 1 August 1997 (01.08.97) (30) Priority Data: 08/694,031 8 August 1996 (08.08.96) US (71)(72) Applicants and Inventors: RAPAPORT, Jeffrey-Alan [US/US]; 362 West Olive Avenue #16, Sunnyvale, CA 94086 (US). RAPAPORT, Seymour, Alvin [US/US]; 1050 Crooked Drive, Los Altos, CA 94024 (US). (74) Agent: DeNIRO, Kirk, J.; Fliesler, Dubb, Meyer and Lovejoy, Suite 400, Four Embarcadero Center, San Francisco, CA 94111-4156 (US).</p>	<p>(81) Designated States: CA, JP, KR, MX, European patent (AT, BE, CH, DE, DK, ES, FI, FR, GB, GR, IE, IT, LU, MC, NL, PT, SE). Published With international search report.</p>	

(54) Title: APPARATUS AND METHOD FOR OBTAINING INFORMATION FROM A COMPUTER NETWORK USING A SCANNER AND BROWSER



(57) Abstract

A computer (105) having a web browser (106) is coupled to a bar code reader (117) and used for accessing the internet and/or intranet (122). The bar code reader reads a bar code that contains a user resource locator (URL) address to a specified web page. A direct software program and menu software program is used with the web browser to access information corresponding to the URL address. The bar code may contain other information such as browser instructions and/or software instructions. Products may likewise be registered using user personal data. Finally, customized web pages targeted to specific users may also be created using the web browser and scanned bar code data.